

LED PROFILES & EXTRUSIONS

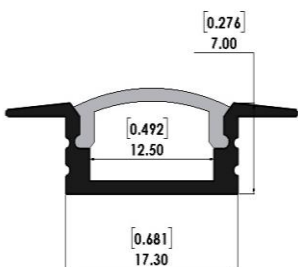
www.fusionoptix.com
+1 781-995-0805
info@fusionoptix.com

KEY FEATURES

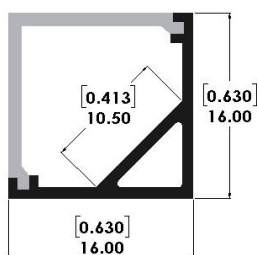
- High grade 6063-T5 aluminum
- Choice of paint or anodized finishes
- Light management lens options including: batwing, asymmetric, grazer, narrow beam, anti-glare, diffuse (high uniformity)
- Cover lens material: PMMA or PC
- Available in lengths up to 12ft
- Accessories include end cap & mounting clips
- Designed for flexible or rigid led strips up to 13mm wide
- Suitable for indoor damp environments such as retail, commercial, office, schools and colleges, healthcare facilities

**Fusion[®]
Optix**

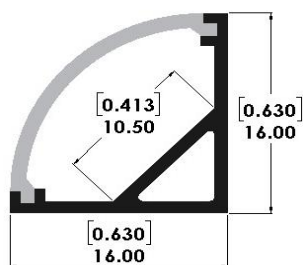
FOP03-1000



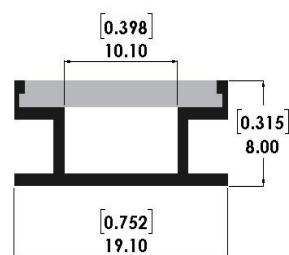
FOP03-1001



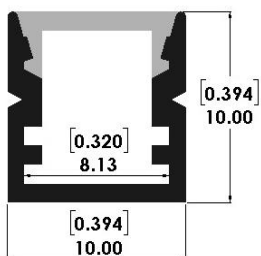
FOP03-1002



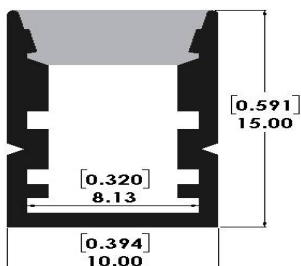
FOP03-1003



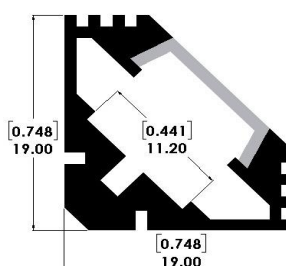
FOP03-1004



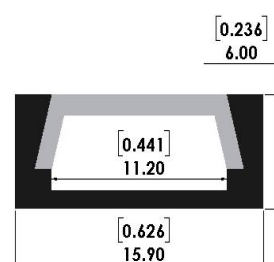
FOP03-1005



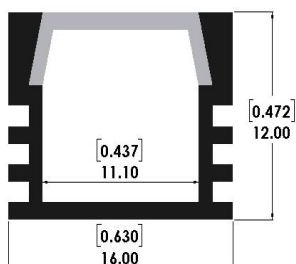
FOP03-1006



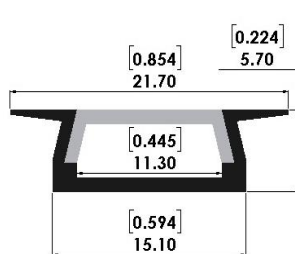
FOP03-1007



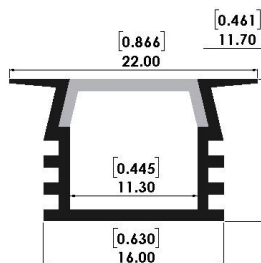
FOP03-1008



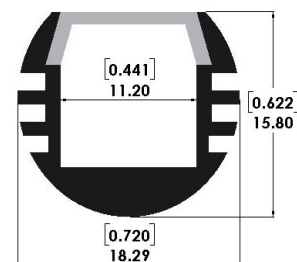
FOP03-1009



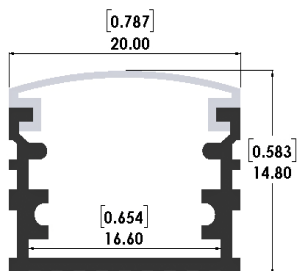
FOP03-1010



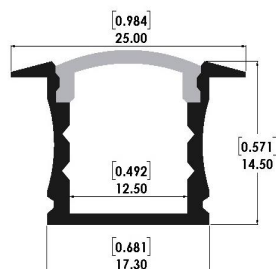
FOP03-1011



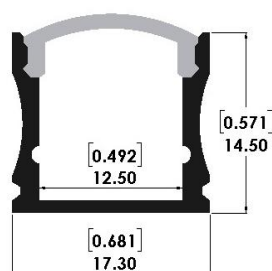
FOP03-1012



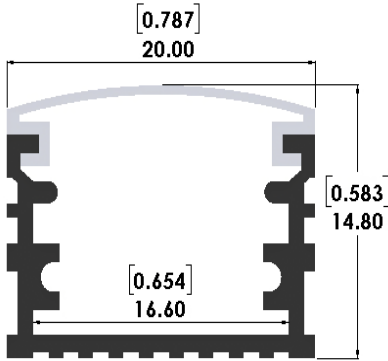
FOP03-1013



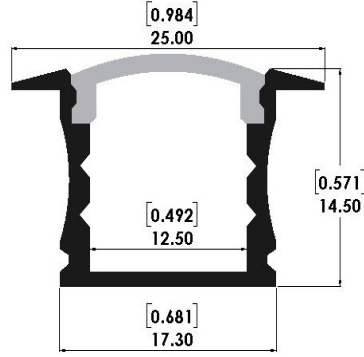
FOP03-1014



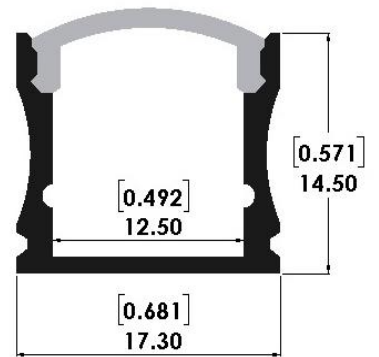
FOP03-1012



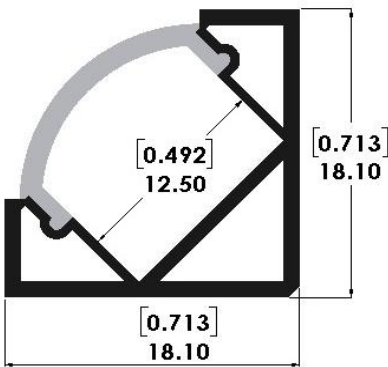
FOP03-1013



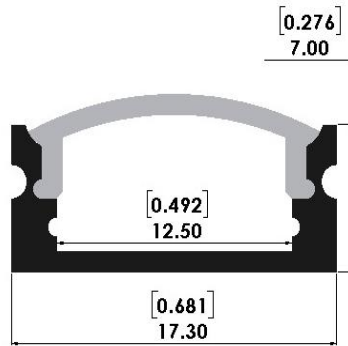
FOP03-1014



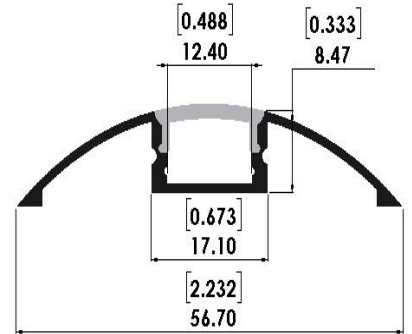
FOP03-1015



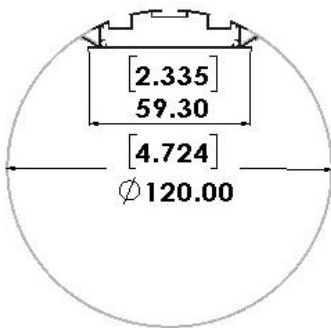
FOP03-1016



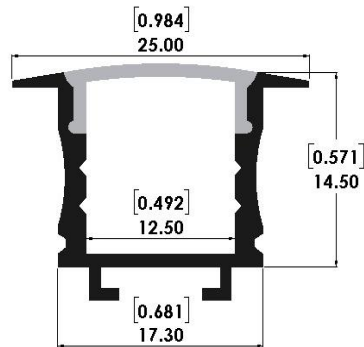
FOP03-1017



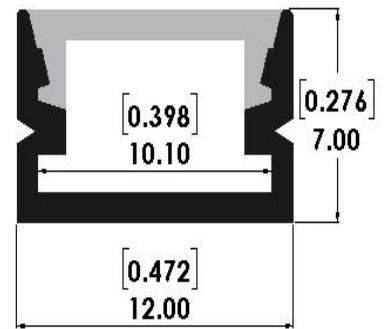
FOP03-1018



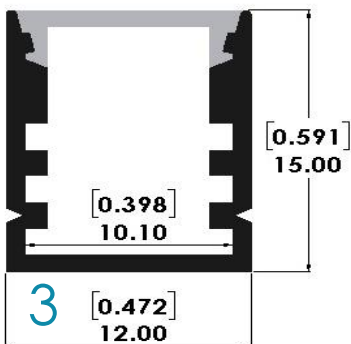
FOP03-1019



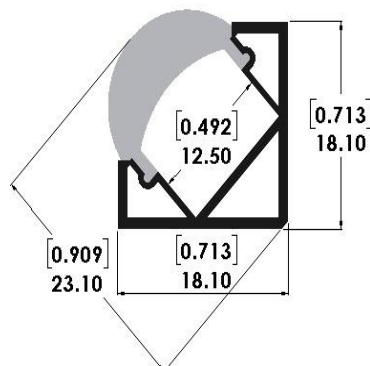
FOP03-1020



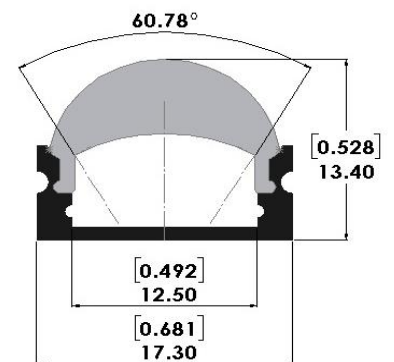
FOP03-1021



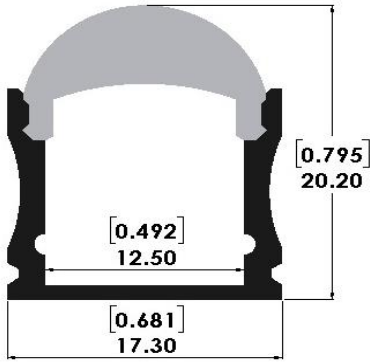
FOP03-1022



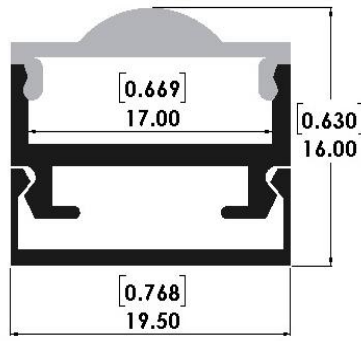
FOP03-1023



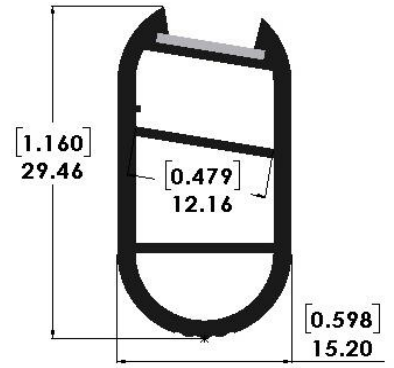
FOP03-1024



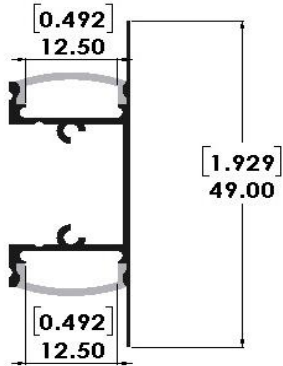
FOP03-1025



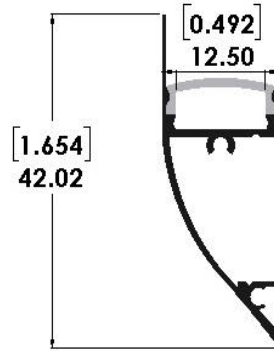
FOP03-1026



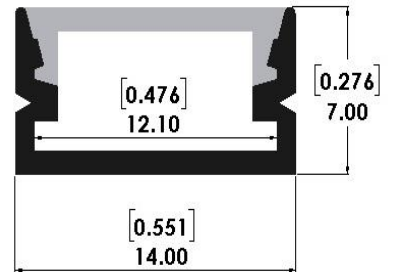
FOP03-1027



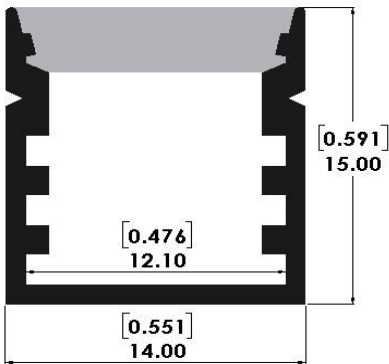
FOP03-1028



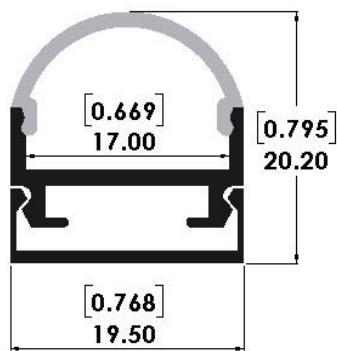
FOP03-1029



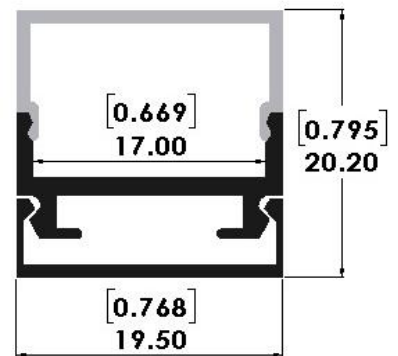
FOP03-1030



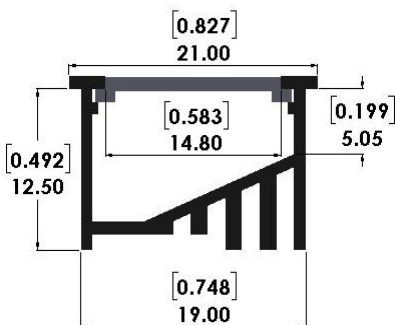
FOP03-1031



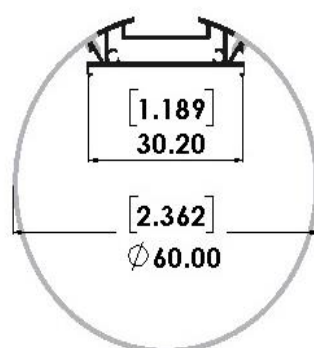
FOP03-1032



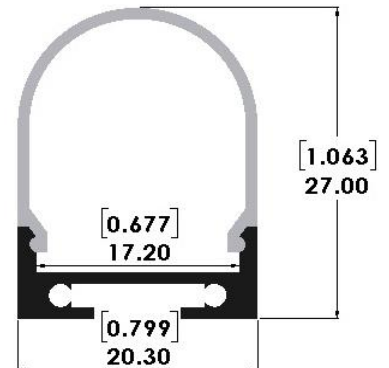
FOP03-1033



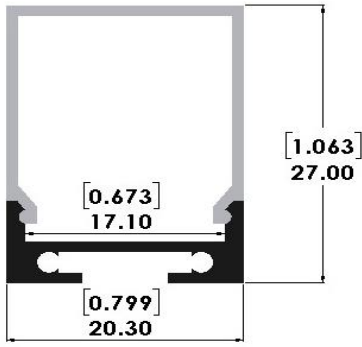
FOP03-1034



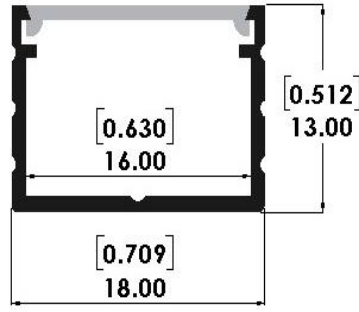
FOP03-1035



FOP03-1036



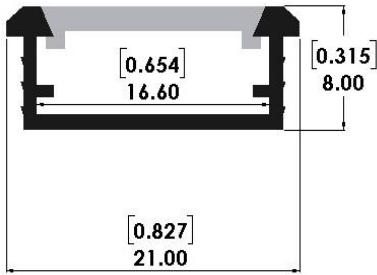
FOP03-1037



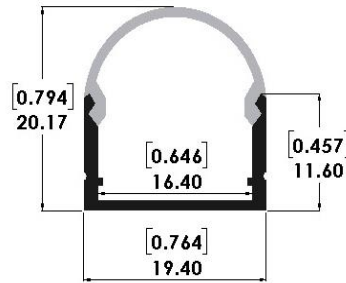
FOP03-1038



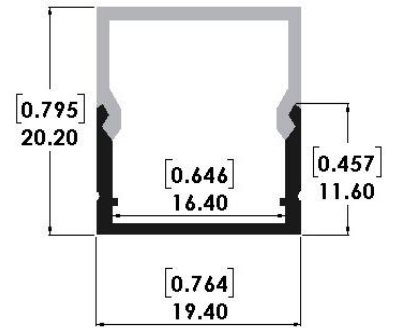
FOP03-1039



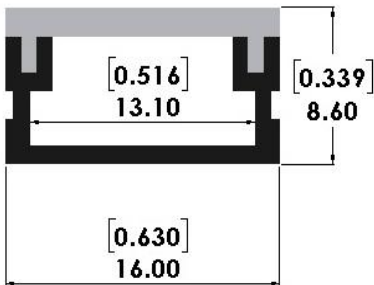
FOP03-1040



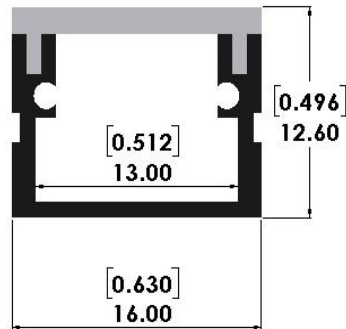
FOP03-1041



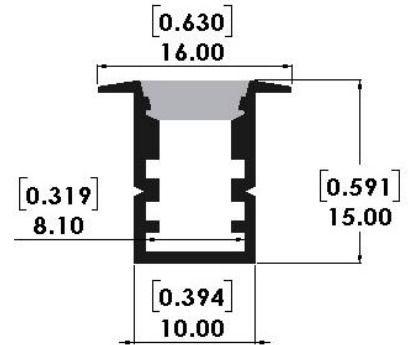
FOP03-1042



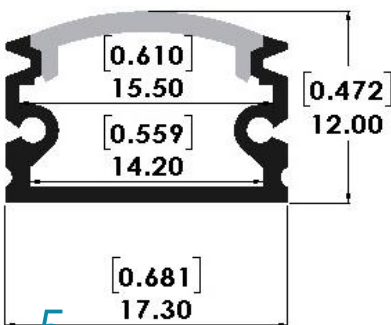
FOP03-1043



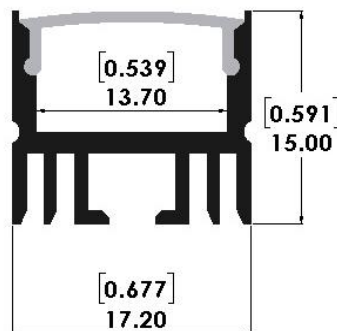
FOP03-1044



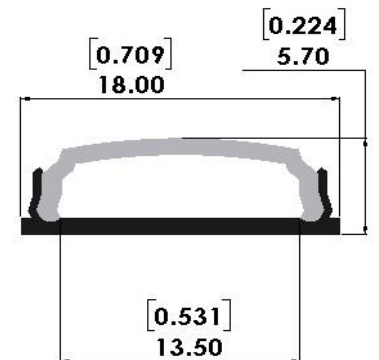
FOP03-1045



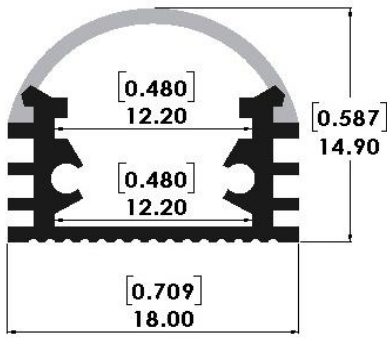
FOP03-1046



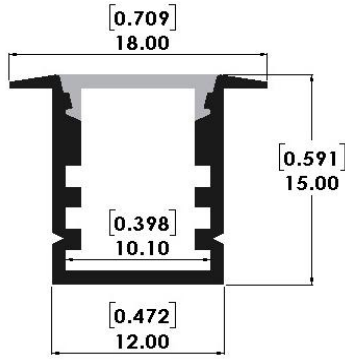
FOP03-1047



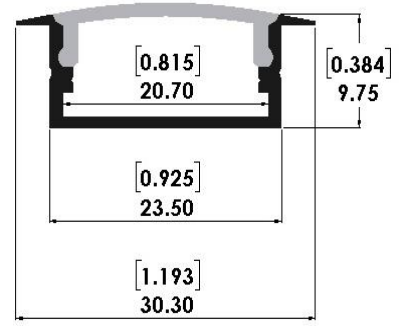
FOP03-1048



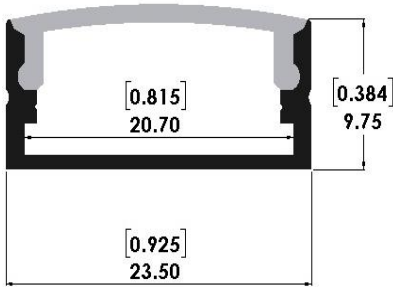
FOP03-1049



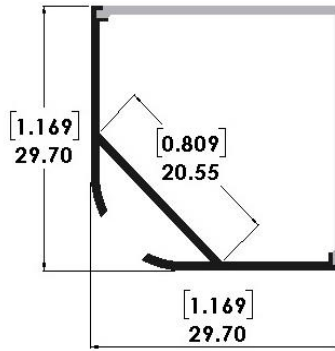
FOP03-1050



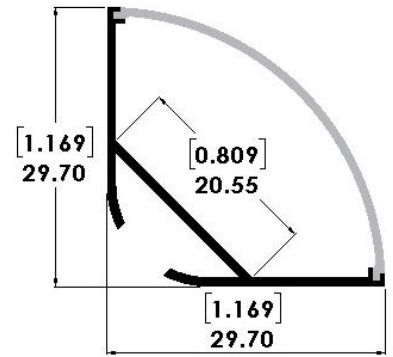
FOP03-1051



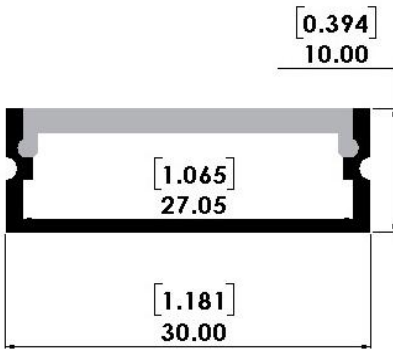
FOP03-1052



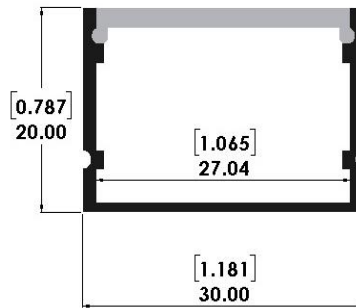
FOP03-1053



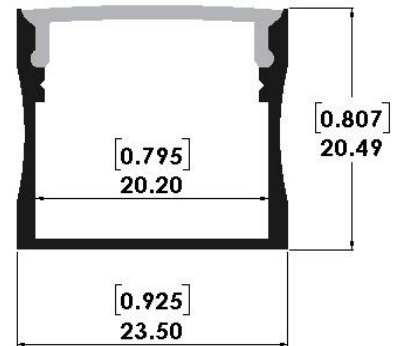
FOP03-1054



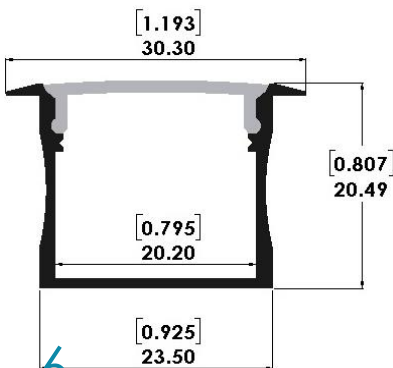
FOP03-1055



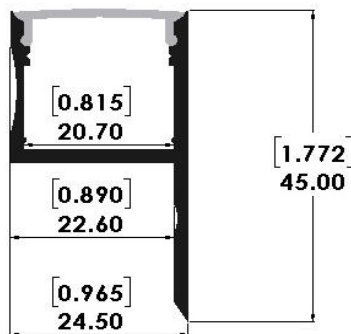
FOP03-1056



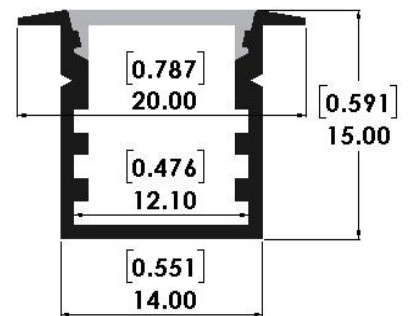
FOP03-1057



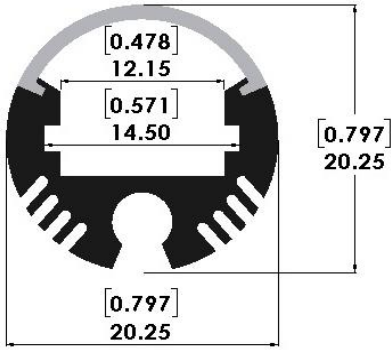
FOP03-1058



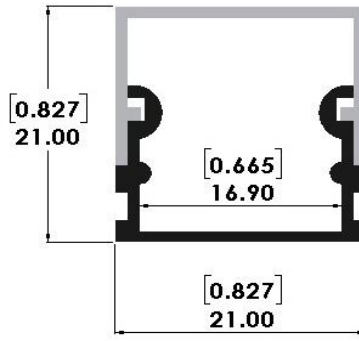
FOP03-1059



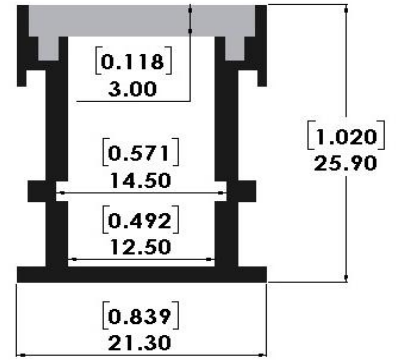
FOP03-1060



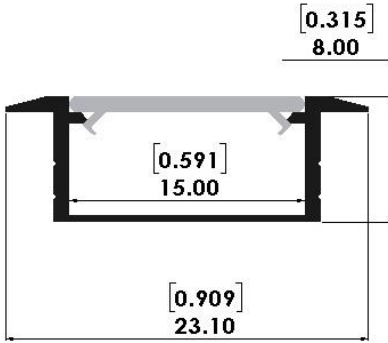
FOP03-1061



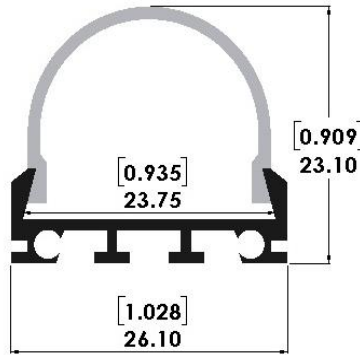
FOP03-1062



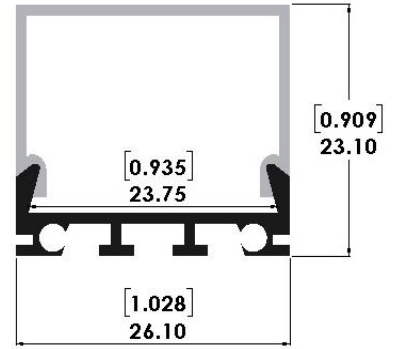
FOP03-1063



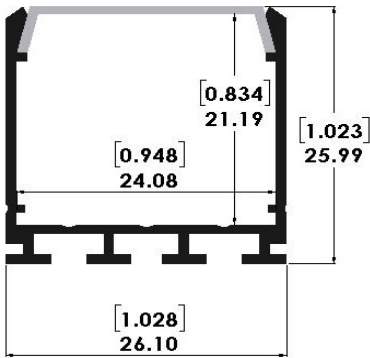
FOP03-1064



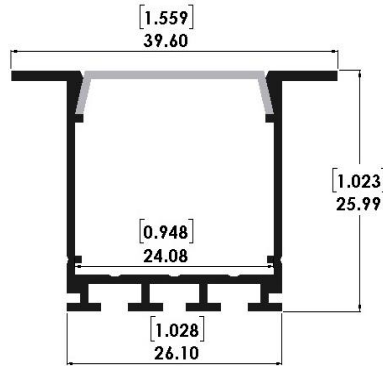
FOP03-1065



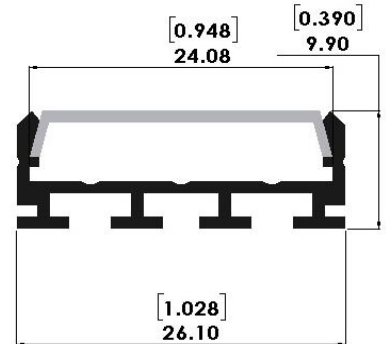
FOP03-1066



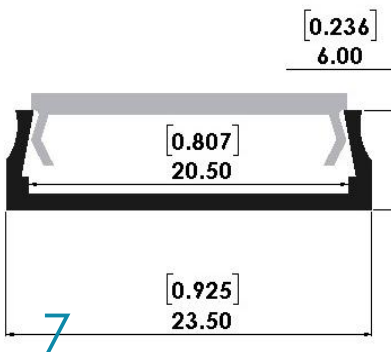
FOP03-1067



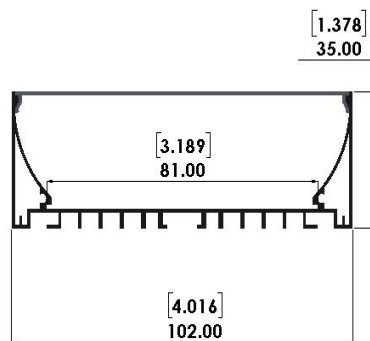
FOP03-1068



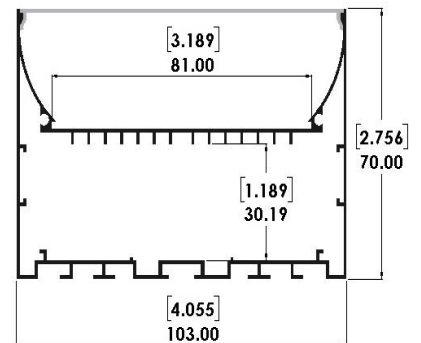
FOP03-1069



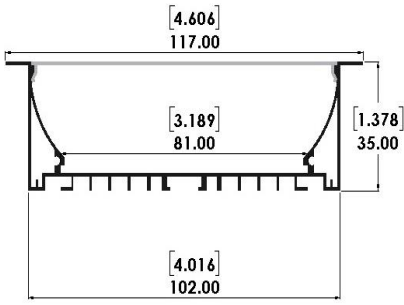
FOP03-1070



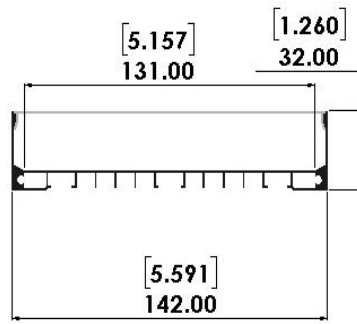
FOP03-1071



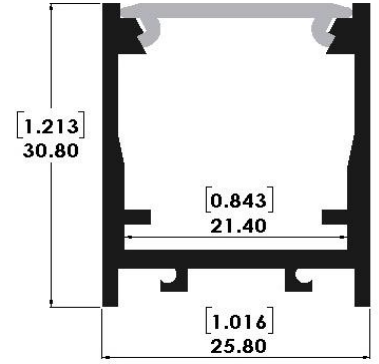
FOP03-1072



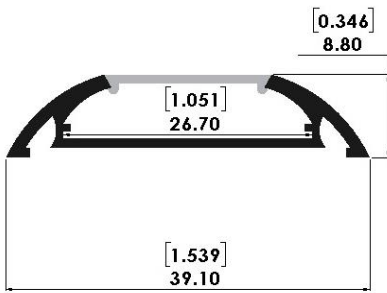
FOP03-1073



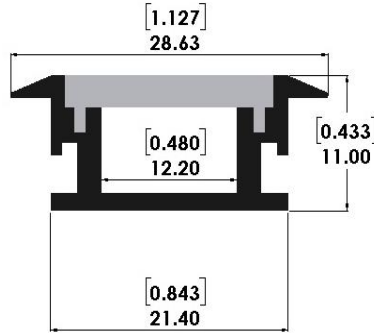
FOP03-1074



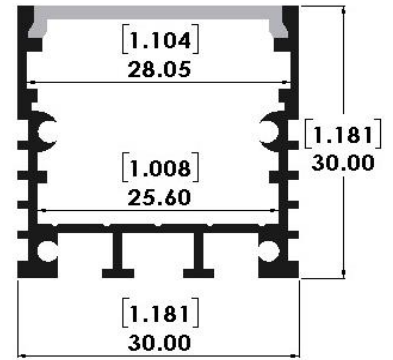
FOP03-1075



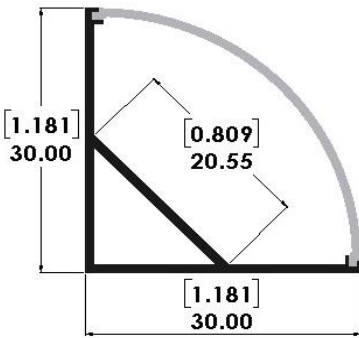
FOP03-1076



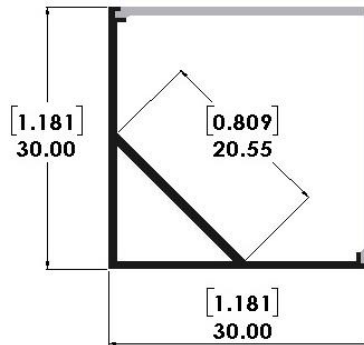
FOP03-1077



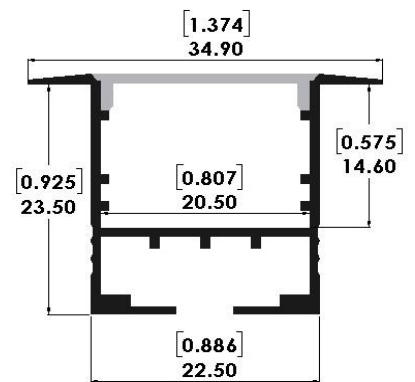
FOP03-1078



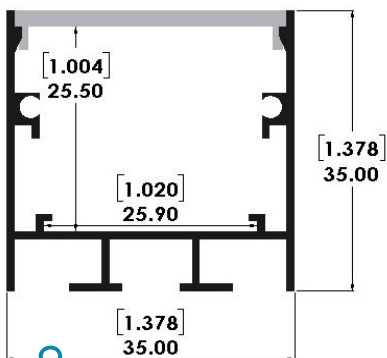
FOP03-1079



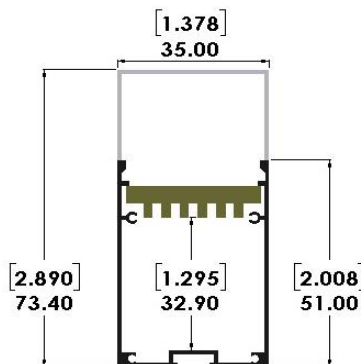
FOP03-1080



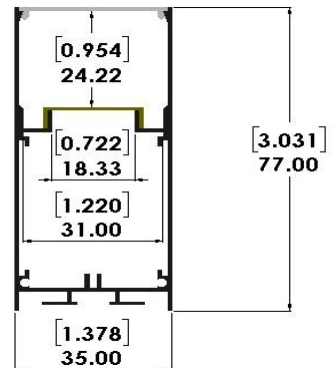
FOP03-1081



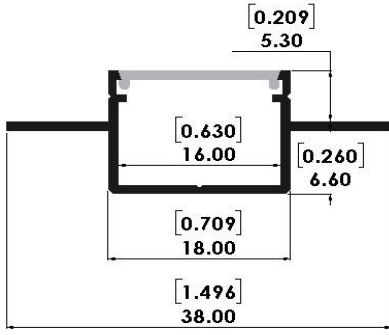
FOP03-1082



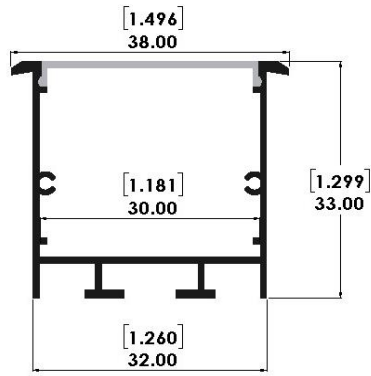
FOP03-1083



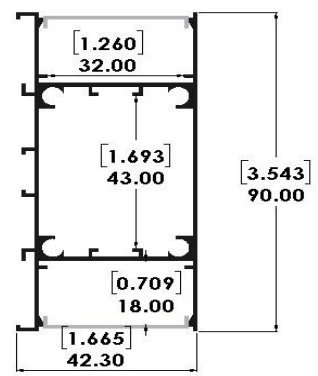
FOP03-1084



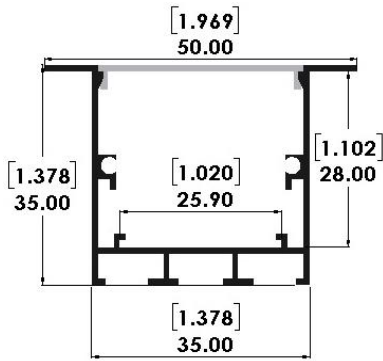
FOP03-1085



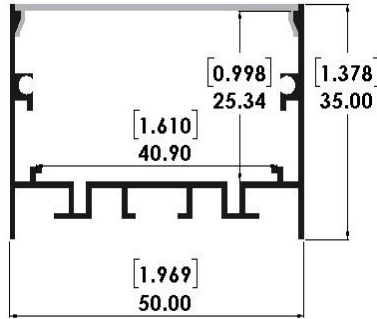
FOP03-1086



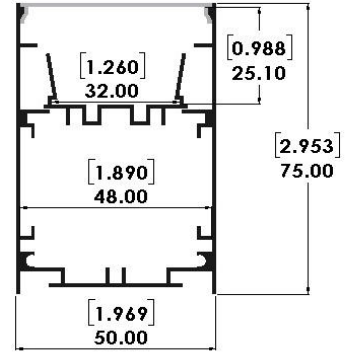
FOP03-1087



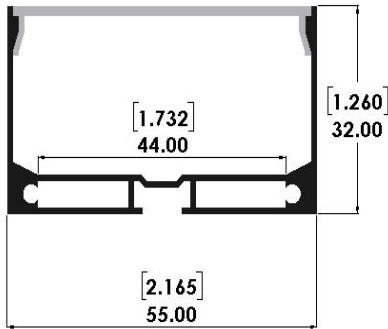
FOP03-1088



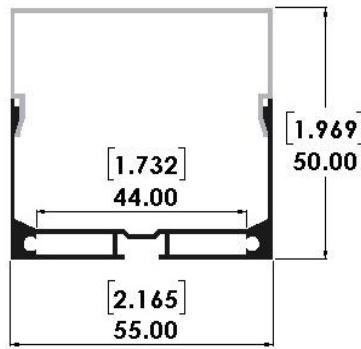
FOP03-1089



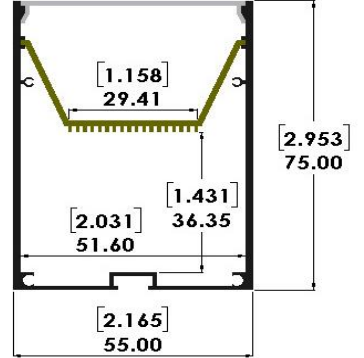
FOP03-1090



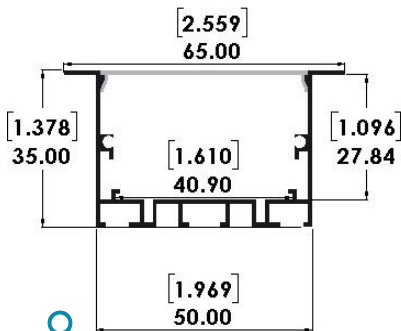
FOP03-1091



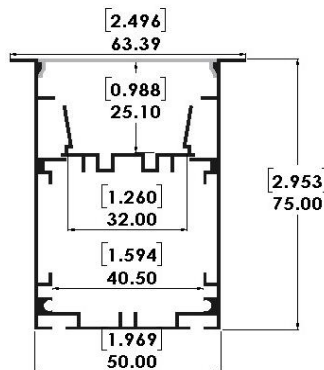
FOP03-1092



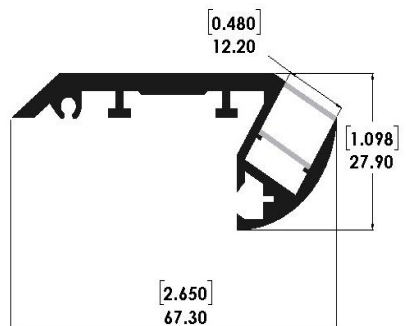
FOP03-1093



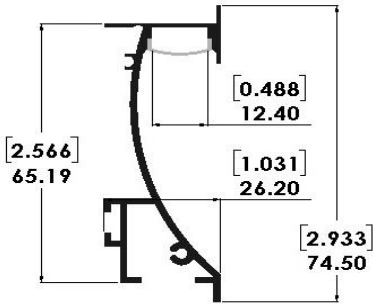
FOP03-1094



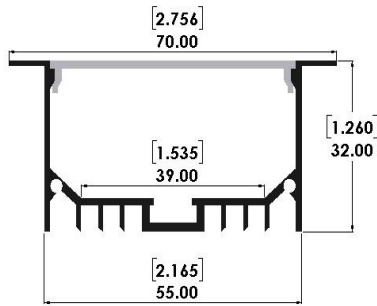
FOP03-1095



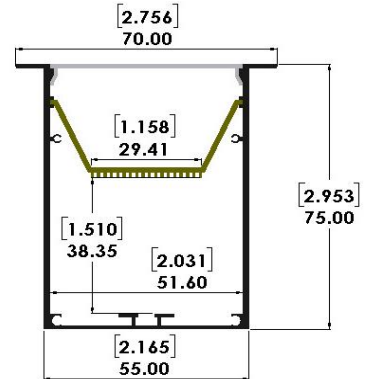
FOP03-1096



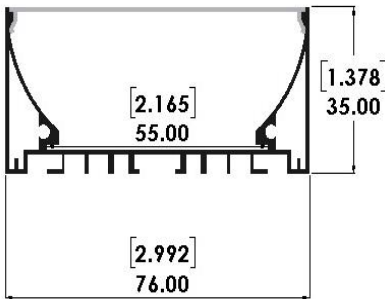
FOP03-1097



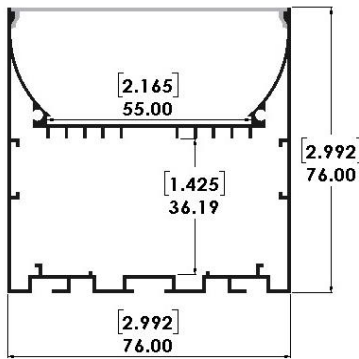
FOP03-1098



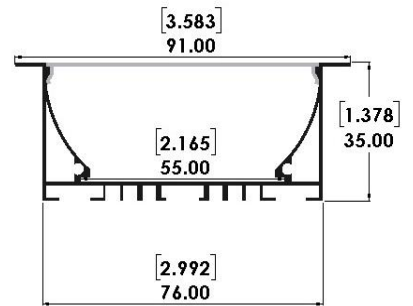
FOP03-1099



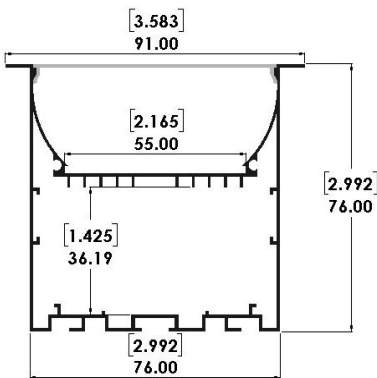
FOP03-1100



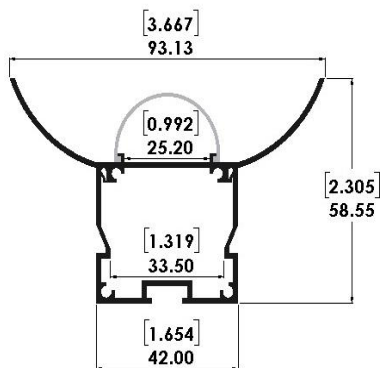
FOP03-1101



FOP03-1102



FOP03-1103



FOP03-1104

