

Oralux

LED Lighting Module Reference Designs

OLS-600

general
technical
OEM

general information

OLS-600 is a 2'x2' lighting module primarily for use in recessed lighting fixtures in architectural applications.

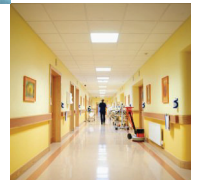


Benefits:

- clean aesthetic
- uniform color
- uniform luminance
- low glare
- slim form factor
- reliable
- long lifetime

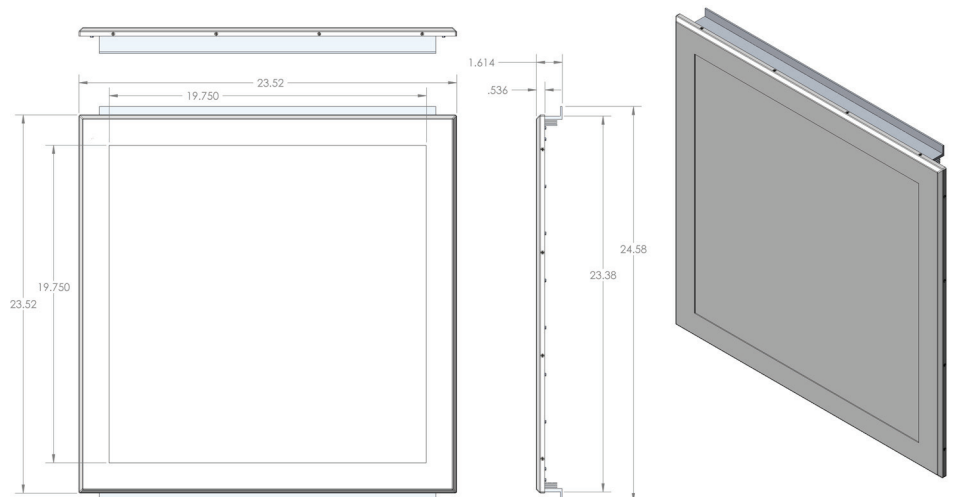
Applications:

- office buildings
- hospitals
- schools
- retail locations
- industrial locations



technical information

<i>lumens</i>	3200
<i>power</i>	62W
<i>efficacy</i>	51 lm/W
<i>CCT</i>	3700K
<i>CRI</i>	>75
<i>uniformity</i>	>85%
<i>distribution</i>	low glare
<i>light source</i>	white LED



OEM

Fusion Optix works closely with OEMs and manufacturers to bring quality products to market quickly and efficiently. OLS-600 is a reference design for OEMs to use as a basis for their LED lighting fixtures and solutions. Fusion Optix does not design lighting controls but can work with OEMs to choose the appropriate controls for the application.

If you are interested in learning more about OLS-600 and how it can be adapted to meet your needs, please contact us at sales@fusionoptix.com or +1 781.995.0805.

Customizable features:

- color temperature
- dimensions
- housing/frame
- light distribution